

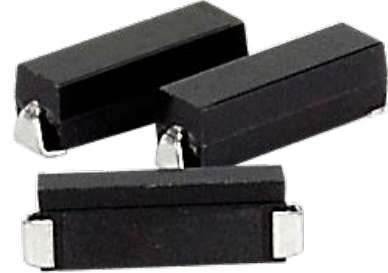


SLU08M

8kV, 850mA, Fast Recovery
SMD High Voltage Diode

Features

- Surface mount, J-leaded package
- Available in cut tape and 1,000 piece reels
- UX-FOB design in longer surface mount, J-leaded package
- Molded plastic body, ANSI/UL94 V-0 rated material
- RoHS compliant to Directive 2011/65/EC, Article 4(1), Annex II, Annex III, 7(a) and EU RoHS Directive (EU) 2015/863 of March 2015, Amending Annex II

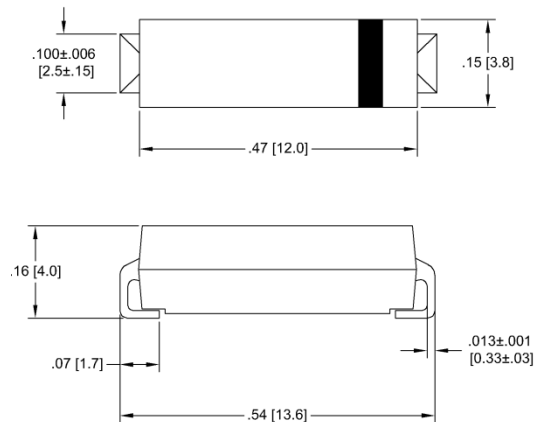


DEVICE ELECTRICAL CHARACTERISTICS

(25°C ambient temperature unless stated otherwise)

	Conditions	Symbol	Value	
Maximum Repetitive Peak Reverse Voltage	-	V_{RRM}	8,000 Volts	
Average Forward Current Maximum	$T_C = 80^\circ\text{C}$	I_{FAVM}	400 mA	
Average Forward Current Maximum	$T_L = 55^\circ\text{C}$	I_{FAVM}	850 mA	
Average Forward Current Maximum	$T_L = 100^\circ\text{C}$	I_{FAVM}	450 mA	
Thermal Resistance (typical) in °C/W	Leads mounted on 5mm x 5mm copper pad.	$R\theta$	$R\theta_{JC}$	20
			$R\theta_{JL}$	13
Maximum Forward Voltage Drop	$I_F = 100\text{mA}$	V_F	12 Volts	
Maximum Surge Current Rating	8.3msec, half sine	I_{FSM}	20 Amps	
Maximum Reverse Current	at rated V_{RRM}	I_R	0.5 μA	
Maximum Reverse Recovery Time	$I_F=250\text{mA}; I_R=-500\text{mA}; I_{rr}=-125\text{mA}$	T_{RR}	40 ns	
Junction Capacitance (typical)	$f = 1\text{MHz}, V_r = 0\text{VDC}$	C_J	7.5 pf	
Maximum Junction Temperature	-	T_J	150°C	
Storage Temperature Range	-	T_{STG}	-55°C to 150°C	

MECHANICAL DATA:



DIMENSIONS IN INCHES (MM)