

UMR-A – QUICK START GUIDE

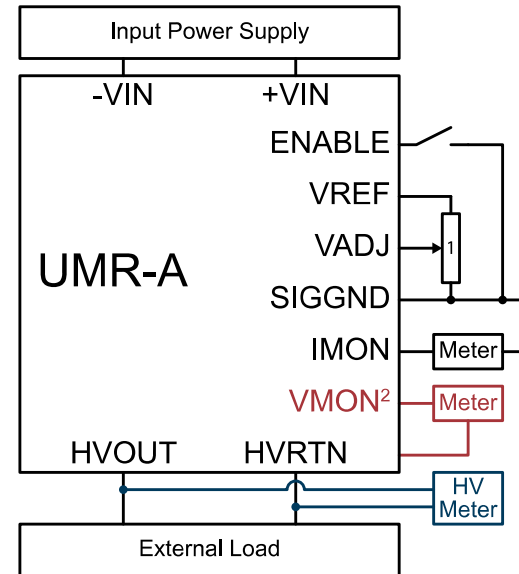
REQUIRED CONNECTIONS:

1. Connect Input Power Supply to -VIN and +VIN
 - 4W Units Use 12VDC, 0.2A - 0.5A
 - 20W & 30W Units Use 24VDC, 0.2A - 1.5A
2. Connect VADJ to Control the HVOUT Voltage
 - a. Connect a Potentiometer¹ Between VREF and SIGGND and the Wiper to VADJ (or)
 - b. Connect a Variable DC Power Supply to VADJ and SIGGND
 - Positive Models: 0.0V to +4.64V is 0% to 100% HVOUT
 - Negative Models: +5.0V to +0.36V is 0% to 100% HVOUT

OPTIONAL CONNECTIONS:

1. Apply an External Load Across HVOUT and HVRTN
2. Enabling the Output
 - a. HVOUT is Enabled when ENABLE not Connected (or)
 - b. Connect DC Power Supply to VREF and SIGGND
 - GND to +0.5V = Disabled
 - +2.4V to 32V = Enabled
3. Monitor Output Voltage
 - a. Standard Models – High Voltage Meter Across HVOUT and HVRTN (or)
 - b. Y05 Option Models² – Meter across VMON and HVRTN
 - Use 10 Megaohm Meter
4. Current Monitor Using a Meter Across IMON to SIGGND
 - Use 10 Megaohm Meter
 - See Datasheet for Scaling

CONNECTION DIAGRAM:

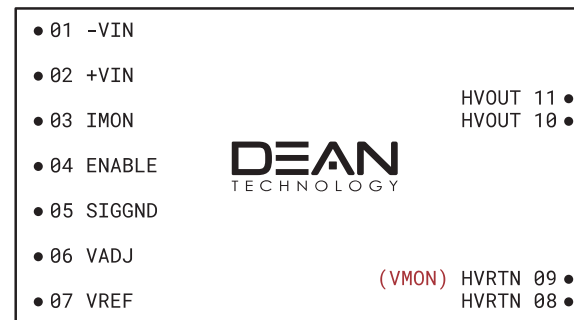


¹ 10k-100kΩ Potentiometer

² 10:1 Scaling for <1kV

100:1 Scaling for >1kV

PIN LAYOUT:



NOTE: Some products might have IMON labeled as IOUT, VADJ labeled as RMTADJ

V05/V10 OPTION – QUICK START GUIDE

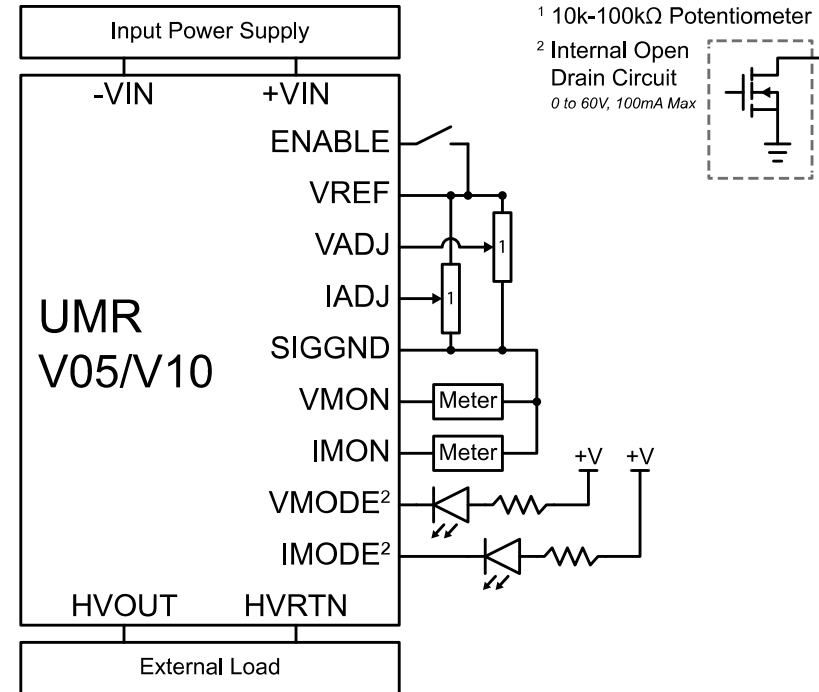
REQUIRED CONNECTIONS:

- Connect Input Power Supply to -VIN and +VIN
 - 4W Units Use 12VDC, 0.2A - 0.5A
 - 20W & 30W Units Use 24VDC, 0.2A - 1.5A
- Connect VADJ to Control the HVOUT Voltage
 - Connect a Potentiometer¹ Between VREF and SIGGND and the Wiper to VADJ (or)
 - Connect a Variable DC Power Supply to VADJ and SIGGND
 - OPTION-V05: 0.0V to +5.0V is 0% to 100% HVOUT
 - OPTION-V10: 0.0V to +10.0V is 0% to 100% HVOUT
- Connect IADJ to Control the HVOUT Current
 - Connect a Potentiometer¹ Between VREF and SIGGND and the Wiper to IADJ (or)
 - Connect a Variable DC Power Supply to IADJ and SIGGND
 - OPTION-V05: 0.0V to +5.0V is 0% to 100% HVOUT
 - OPTION-V10: 0.0V to +10.0V is 0% to 100% HVOUT
- Enabling the Output
 - Connect ENABLE to VREF Using a Switch (or)
 - Open Switch = HVOUT Disabled
 - Closed Switch = HVOUT Enabled
 - Connect DC Power Supply to VREF and SIGGND
 - GND to +0.5V = Disabled
 - +2.4V to 32V = Enabled

OPTIONAL CONNECTIONS:

- Apply an External Load Across HVOUT and HVRTN
- Voltage Mode Indicator VMODE²
 - Connect +V Source, Resistor, and Indicator LED to VMODE
- Current Mode Indicator IMODE²
 - Connect +V Source, Resistor, and Indicator LED to IMODE
- Voltage Monitor Using a Meter Across VMON to SIGGND
 - OPTION-V05: 0.0V – 5.0V is 0% – 100% HVOUT
 - OPTION-V10: 0.0V – 10.0V is 0% – 100% HVOUT
- Current Monitor Using a Meter Across IMON to SIGGND
 - OPTION-V05: 0.0V – 5.0V is 0% – 100% HVOUT
 - OPTION-V10: 0.0V – 10.0V is 0% – 100% HVOUT

CONNECTION DIAGRAM:



PIN LAYOUT:

